

MITSUBISHI RF POWER TRANSISTOR 2SC1945

NPN EPITAXIAL PLANAR TYPE

DESCRIPTION

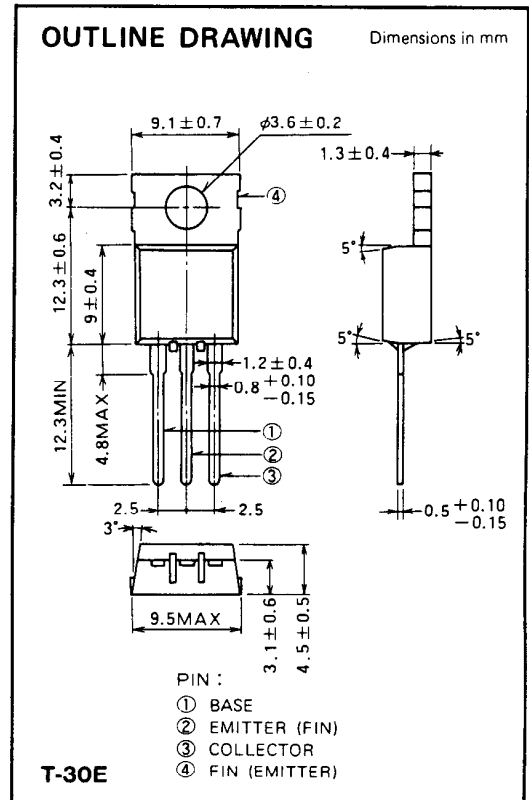
2SC1945 is a silicon NPN epitaxial planar type transistor designed for RF power amplifiers on HF band mobile radio applications.

FEATURES

- High power gain: $G_{pe} \geq 14.5\text{dB}$
@ $V_{CC} = 12\text{V}$, $P_O = 14\text{W}$, $f = 27\text{MHz}$
- Emitter ballasted construction for high reliability and good performances.
- TO-220 package similarly is combinient for mounting.
- Ability of withstanding infinite load VSWR when operated at $V_{CC} = 16\text{V}$, $P_O = 18\text{W}$, $f = 27\text{MHz}$.

APPLICATION

10 to 14 watts output power class AB amplifiers applications in HF band.



ABSOLUTE MAXIMUM RATINGS ($T_C = 25^\circ\text{C}$ unless otherwise specified)

Symbol	Parameter	Conditions	Ratings	Unit
V_{CBO}	Collector to base voltage		80	V
V_{EBO}	Emitter to base voltage		5	V
V_{CEO}	Collector to emitter voltage	$R_{BE} = \infty$	40	V
I_C	Collector current		6	A
P_C	Collector dissipation	$T_a = 25^\circ\text{C}$	1.5	W
		$T_C = 25^\circ\text{C}$	20	W
T_J	Junction temperature		150	$^\circ\text{C}$
T_{stg}	Storage temperature		-55 to 150	$^\circ\text{C}$
R_{th-a}	Thermal resistance	Junction to ambient	83.3	$^\circ\text{C/W}$
R_{th-c}		Junction to case	6.25	$^\circ\text{C/W}$

Note. Above parameters are guaranteed independently.

ELECTRICAL CHARACTERISTICS ($T_C = 25^\circ\text{C}$ unless otherwise specified)

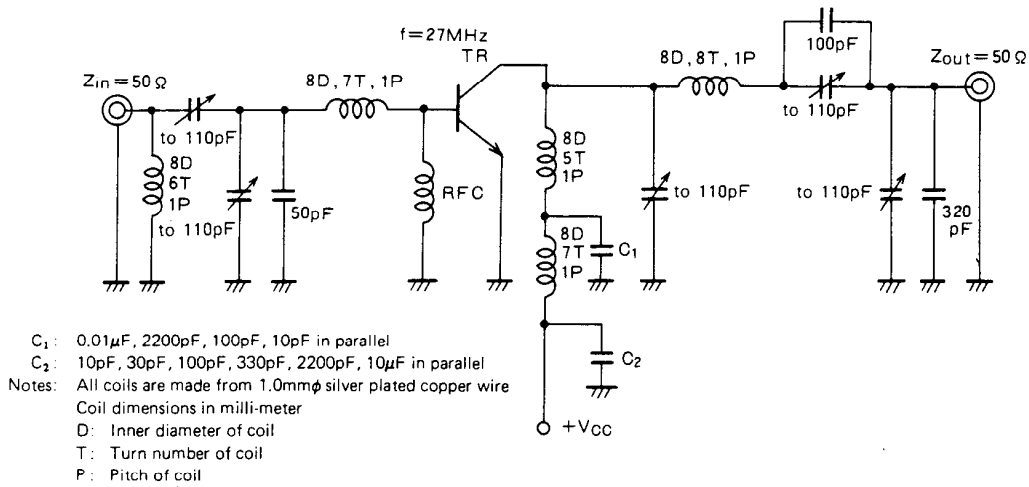
Symbol	Parameter	Test conditions	Limits			Unit
			Min	Typ	Max	
$V_{(BR)EBO}$	Emitter to base breakdown voltage	$I_E = 5\text{mA}$, $I_C = 0$	5			V
$V_{(BR)CBO}$	Collector to base breakdown voltage	$I_C = 1\text{mA}$, $I_E = 0$	80			V
$V_{(BR)CEO}$	Collector to emitter breakdown voltage	$I_C = 10\text{mA}$, $R_{BE} = \infty$	40			V
I_{CBO}	Collector cutoff current	$V_{CB} = 30\text{V}$, $I_E = 0$			100	μA
I_{EBO}	Emitter cutoff current	$V_{EB} = 4\text{V}$, $I_C = 0$			100	μA
h_{FE}	DC forward current gain *	$V_{CE} = 10\text{V}$, $I_C = 0.1\text{A}$	10	50	180	—
P_O	Output power	$V_{CC} = 12\text{V}$, $P_{in} = 0.5\text{W}$, $f = 27\text{MHz}$	14	16		W
η_C	Collector efficiency		60	70		%

Note. * Pulse test, $P_W = 150\mu\text{s}$, duty=5%

Above parameters, ratings, limits and conditions are subject to change.

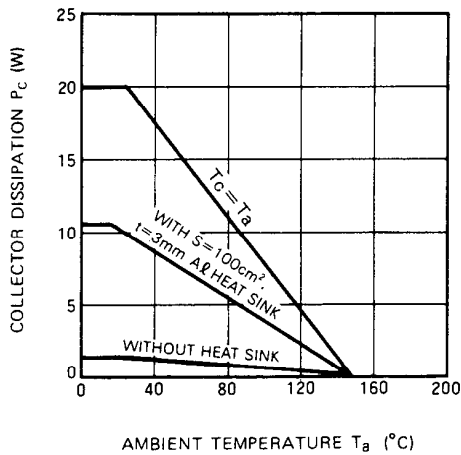
NOV. '97

TEST CIRCUIT

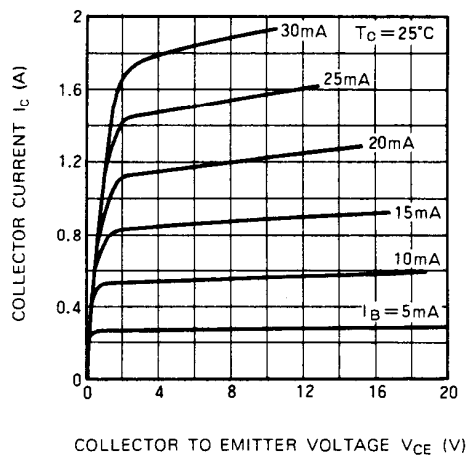


TYPICAL PERFORMANCE DATA

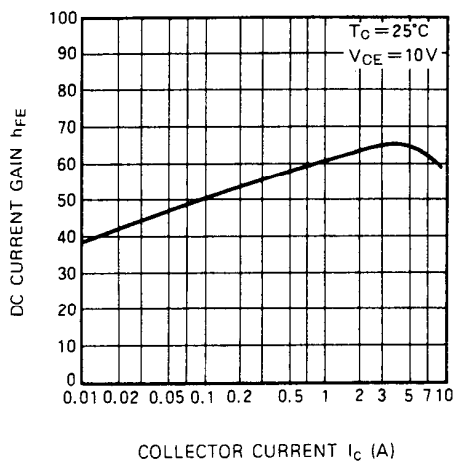
COLLECTOR DISSIPATION VS. AMBIENT TEMPERATURE



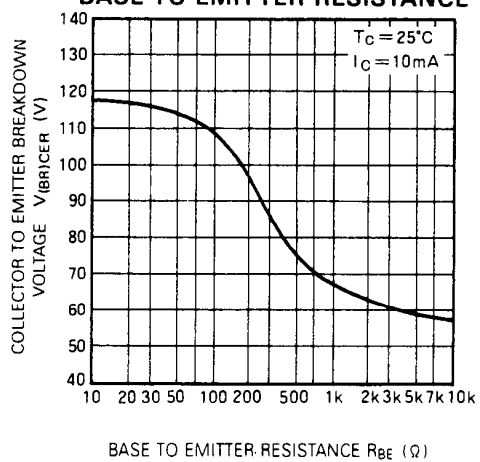
COLLECTOR CURRENT VS. COLLECTOR TO EMITTER VOLTAGE



DC CURRENT GAIN VS. COLLECTOR CURRENT

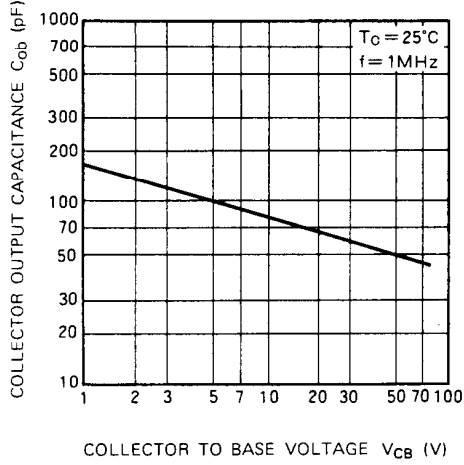


COLLECTOR TO EMITTER BREAKDOWN VOLTAGE VS. BASE TO EMITTER RESISTANCE

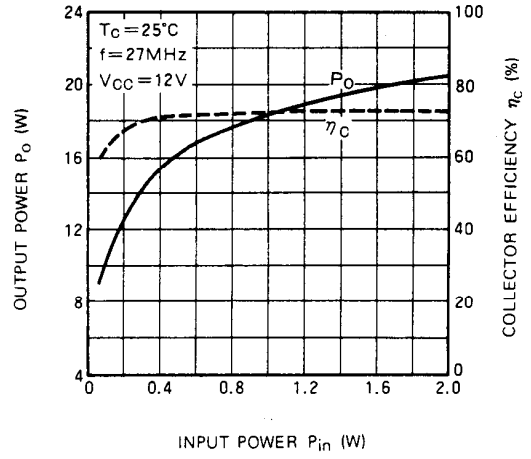


NPN EPITAXIAL PLANAR TYPE

**COLLECTOR OUTPUT CAPACITANCE VS.
 COLLECTOR TO BASE VOLTAGE**



**OUTPUT POWER,
 COLLECTOR EFFICIENCY
 VS. INPUT POWER**



**OUTPUT POWER VS. COLLECTOR
 SUPPLY VOLTAGE**

